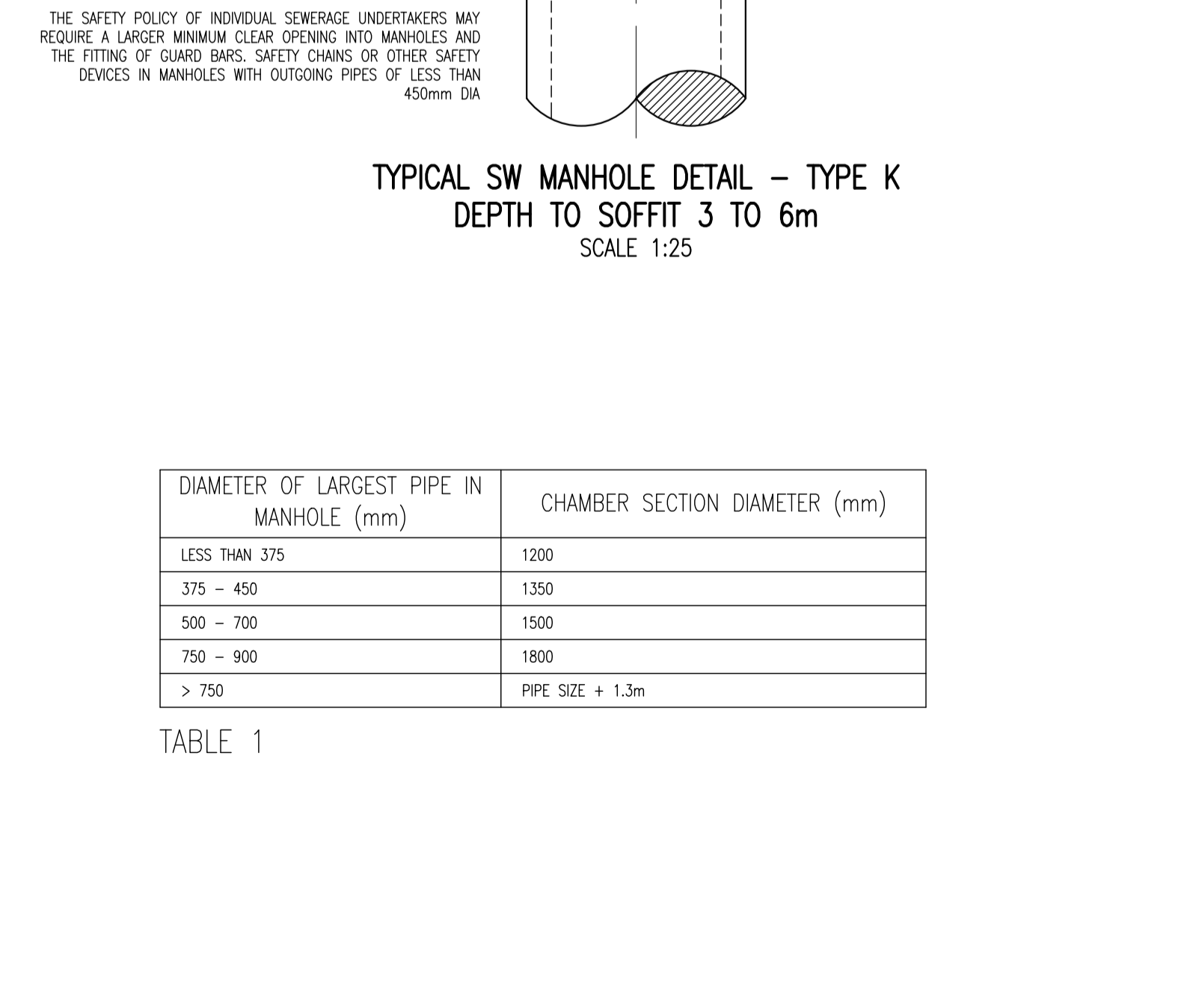
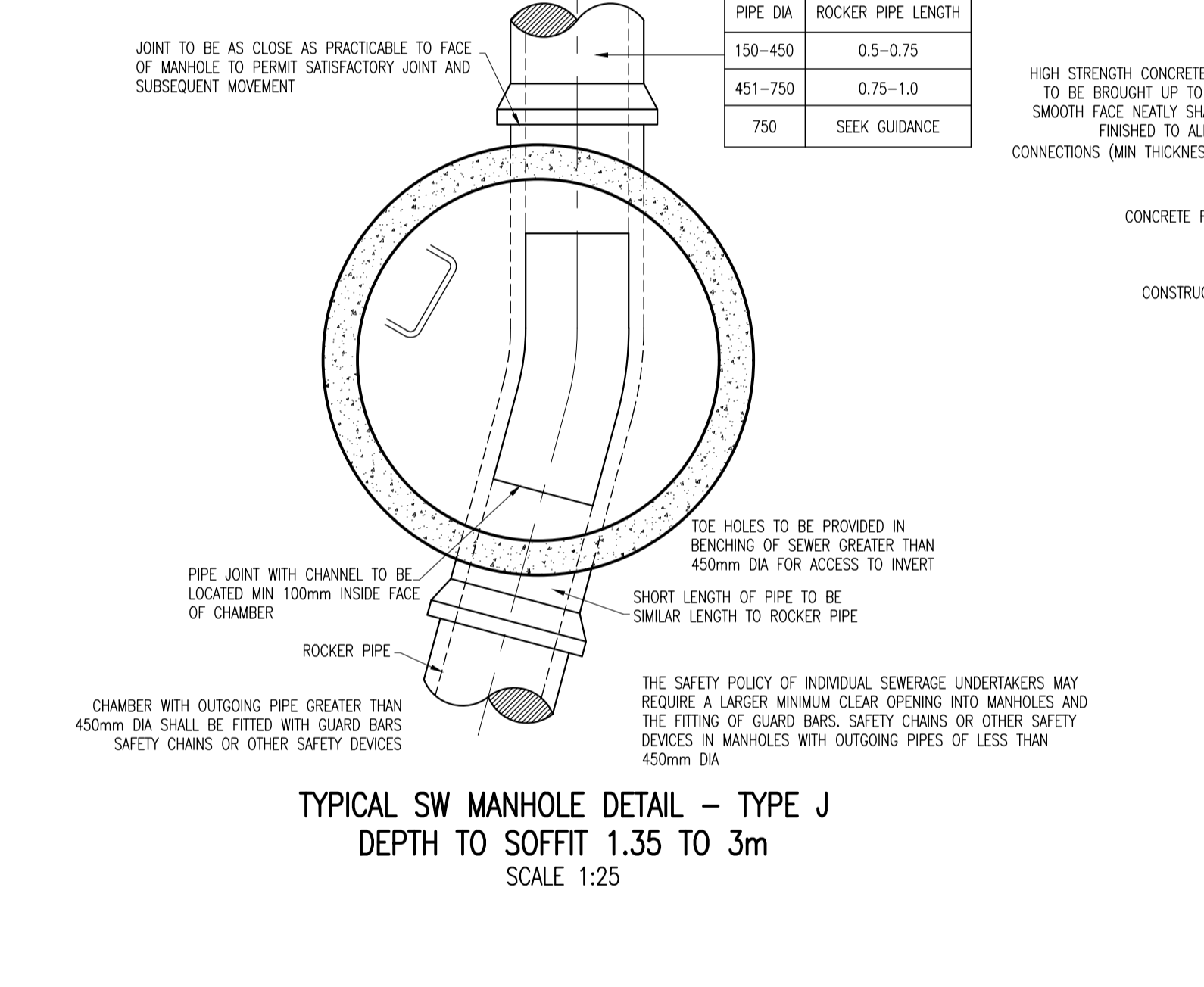
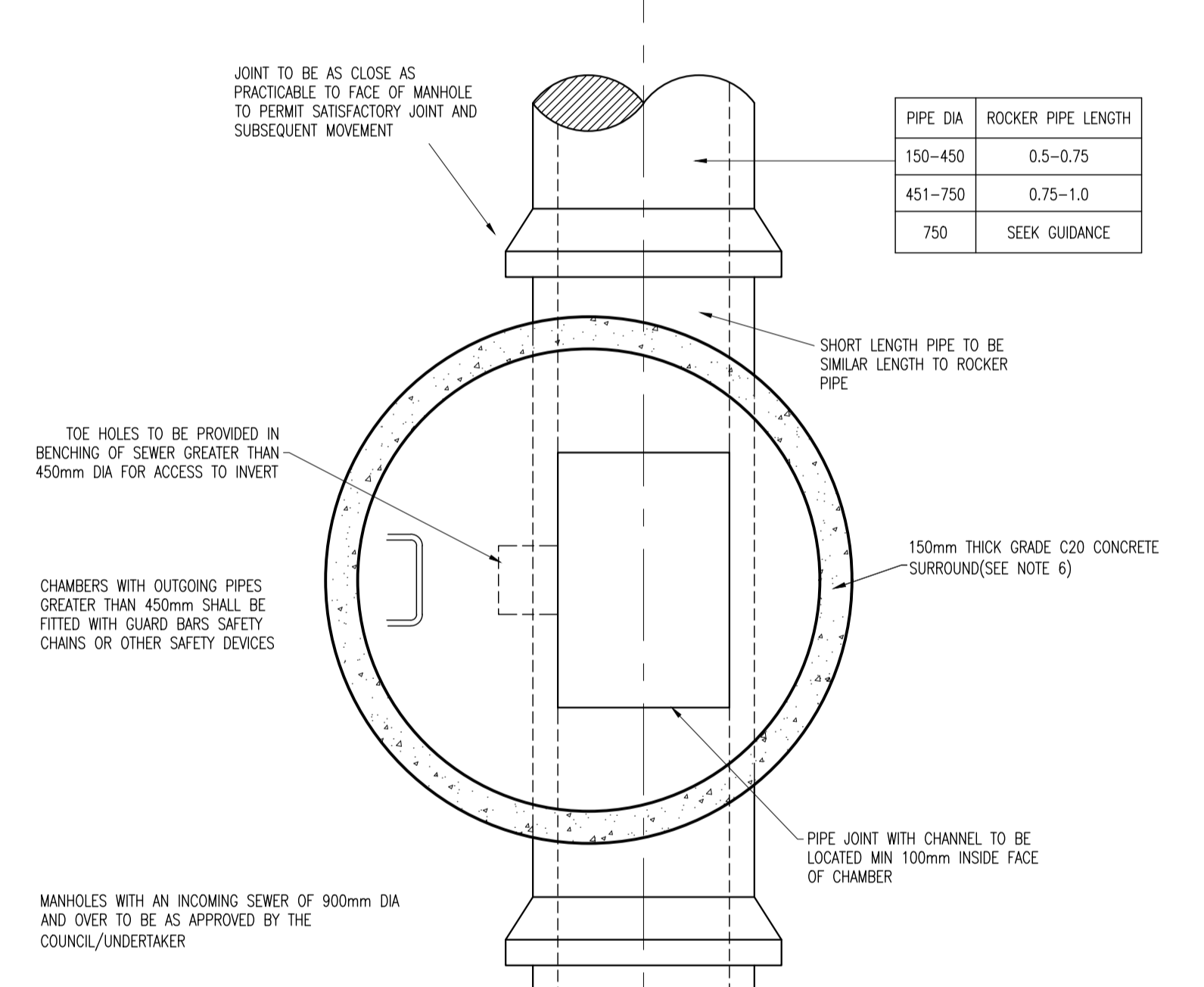
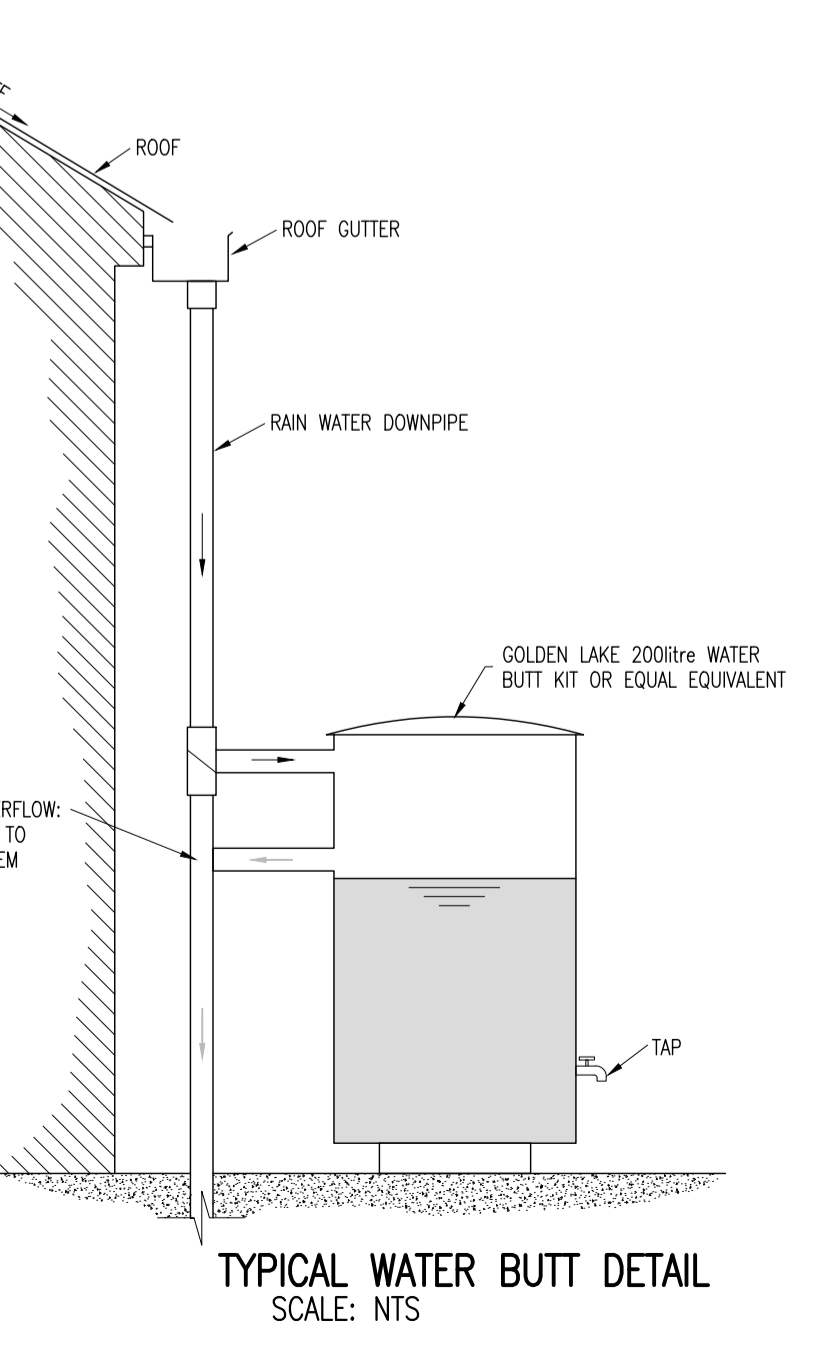
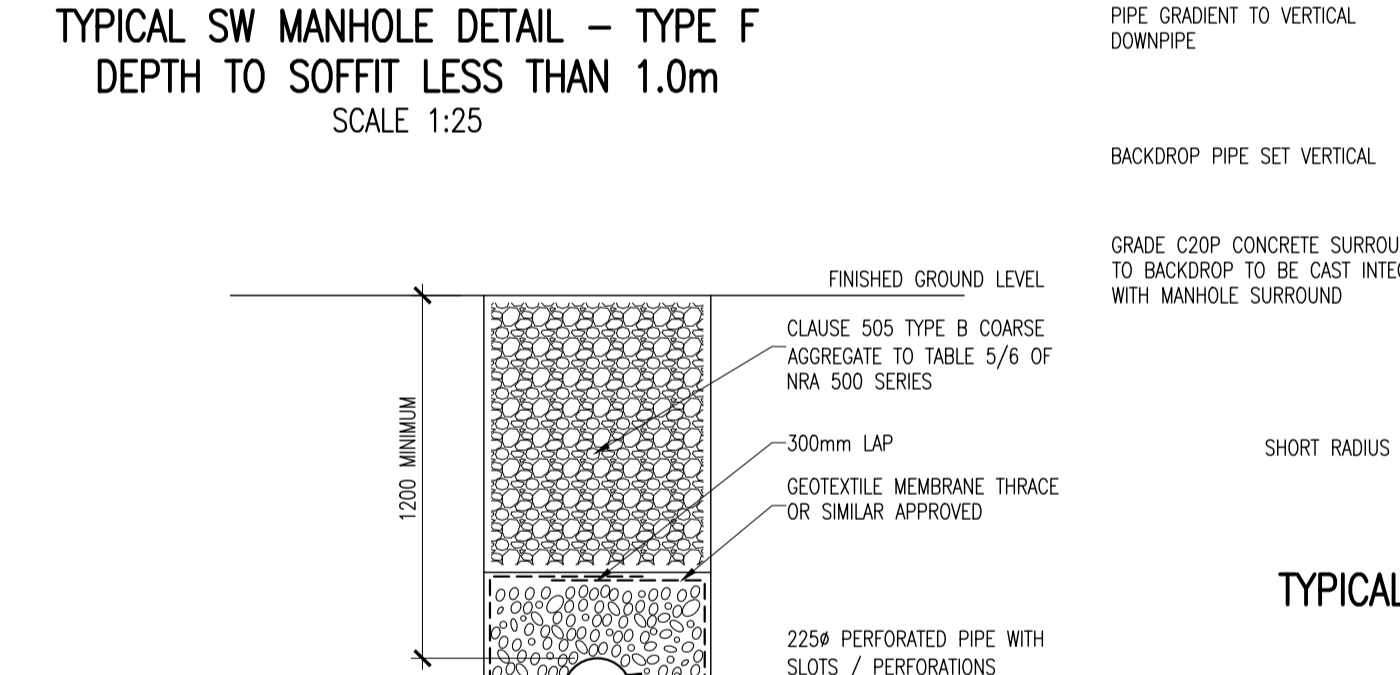
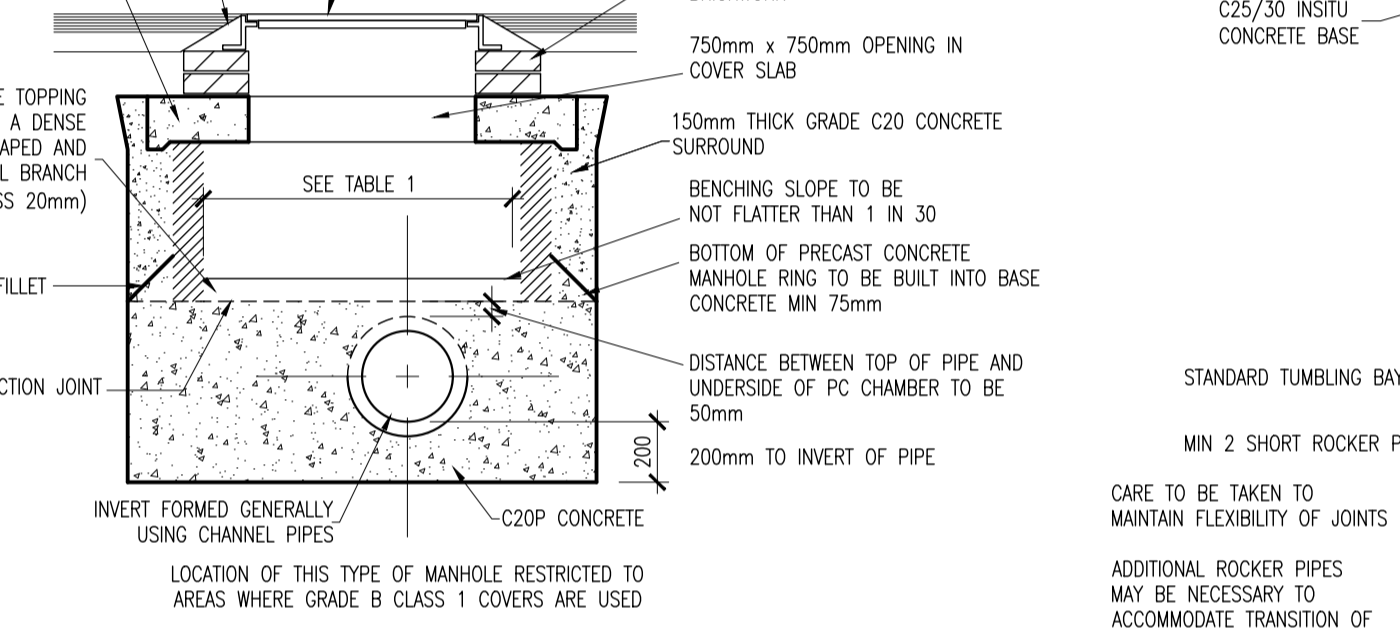
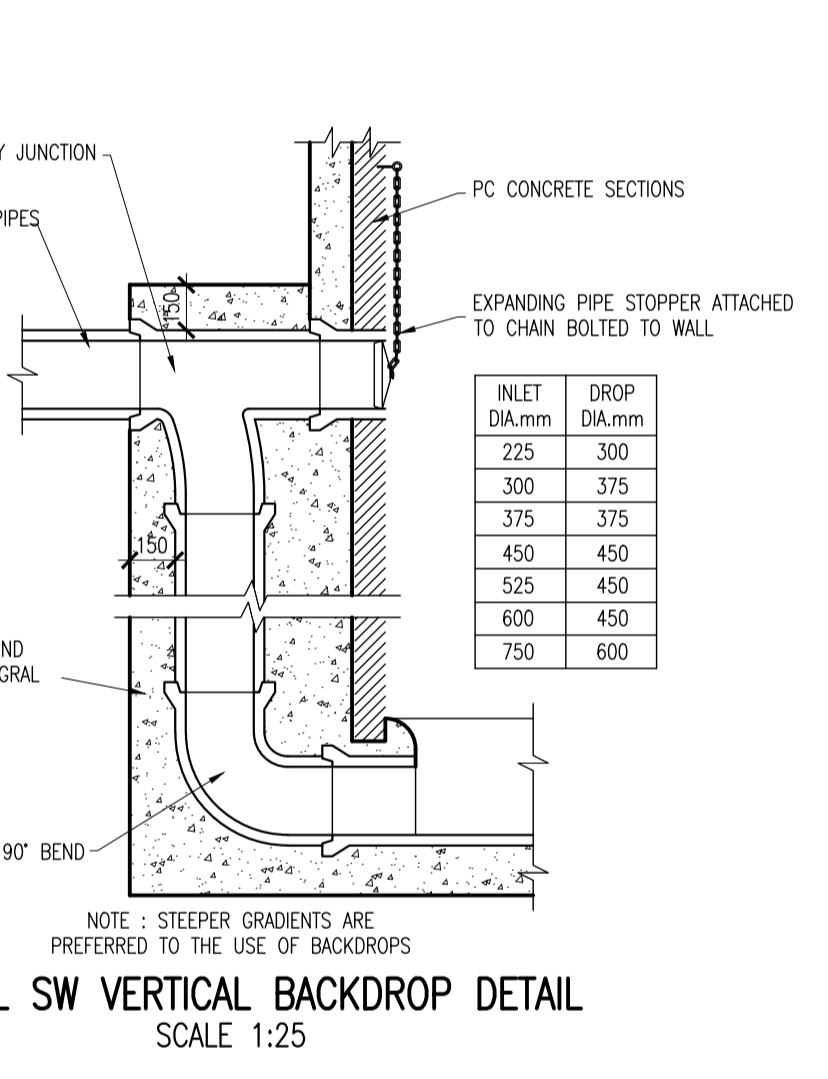
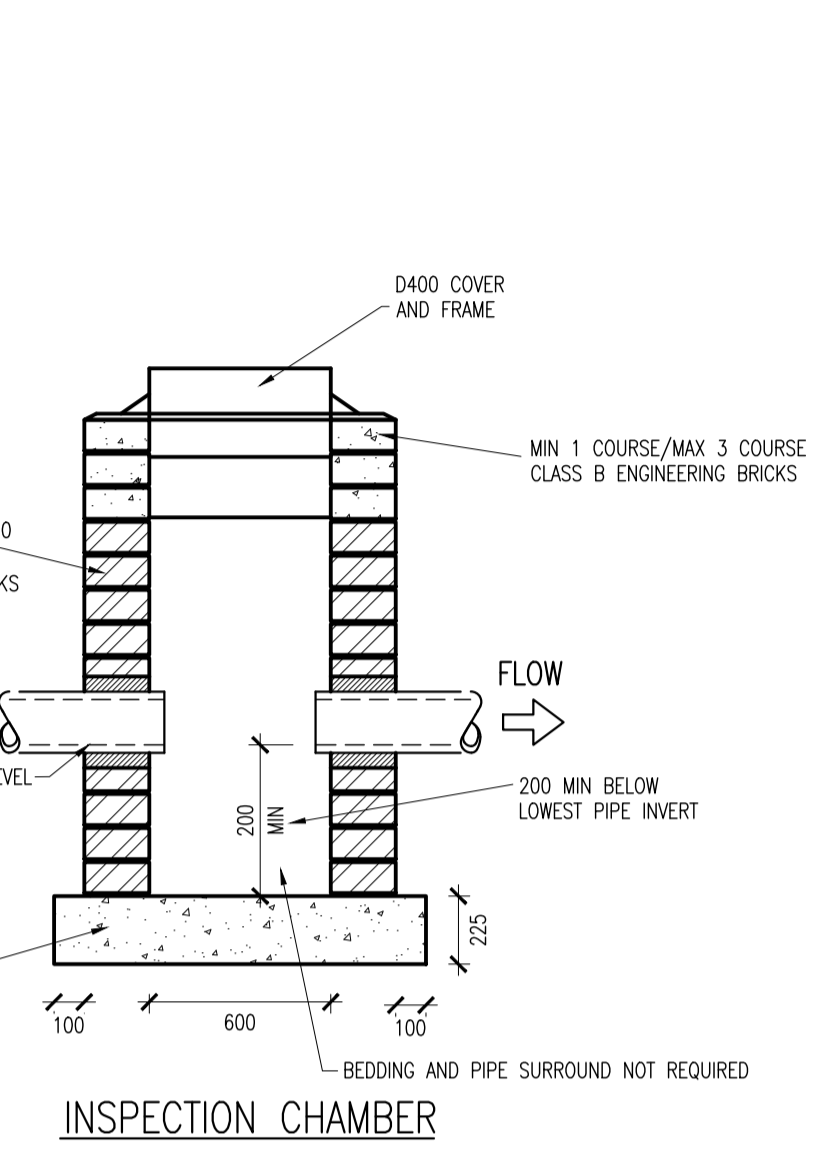
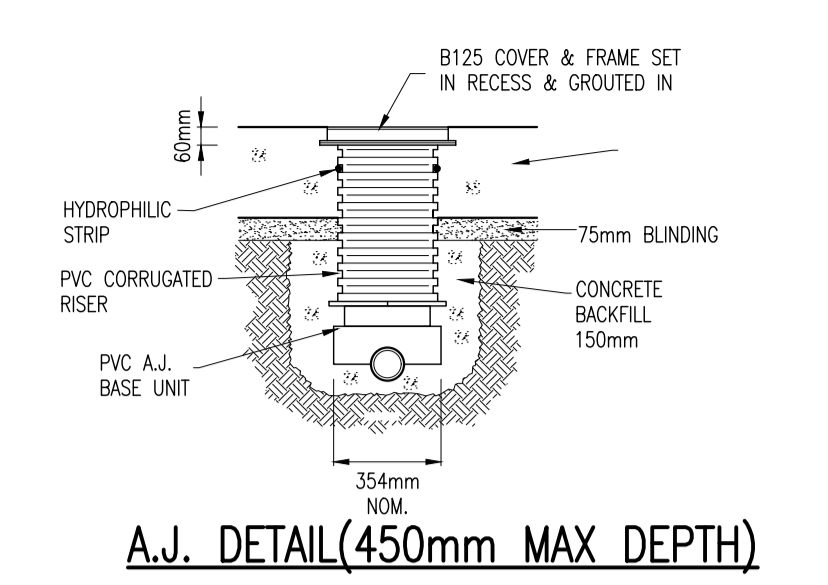
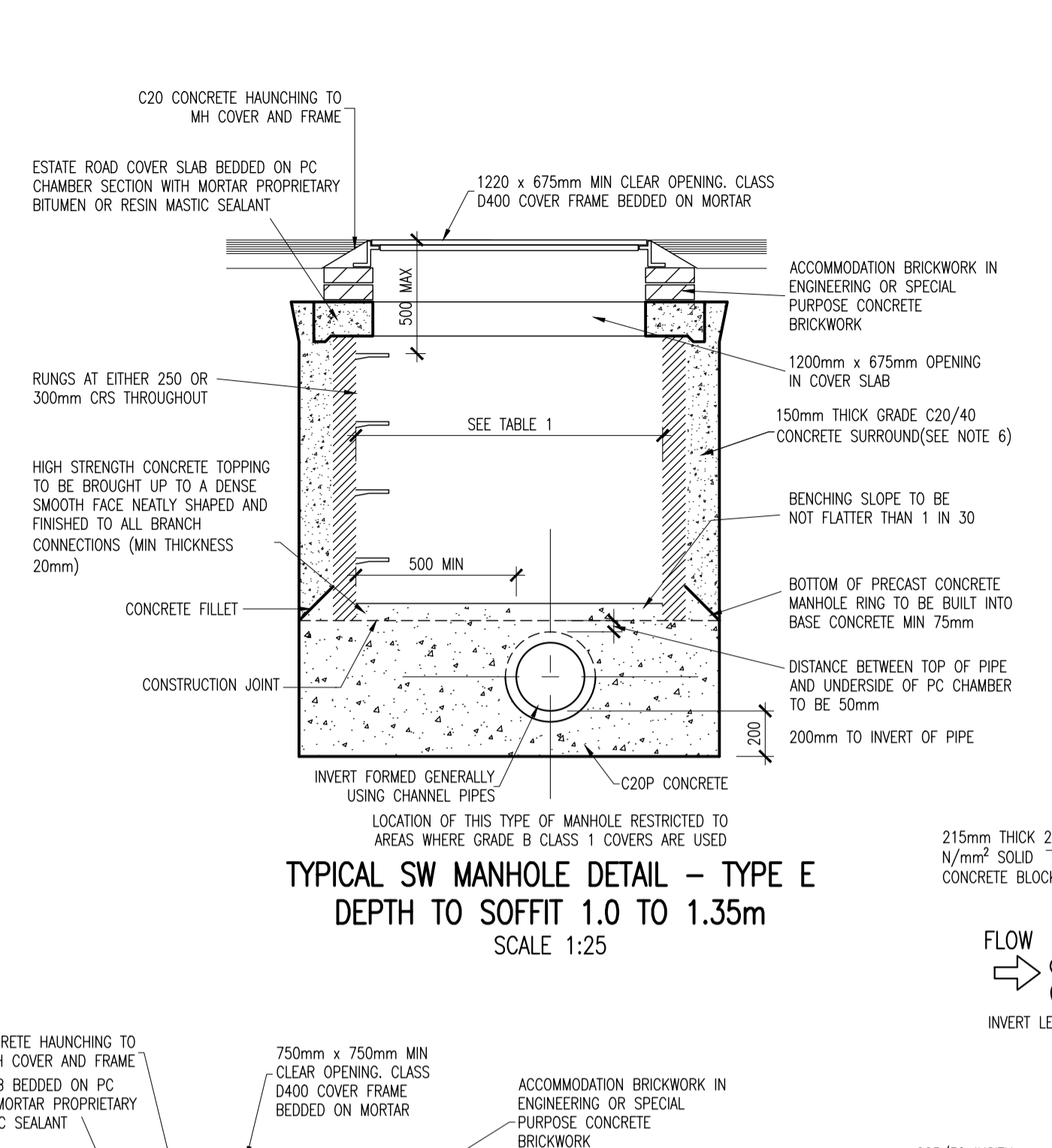
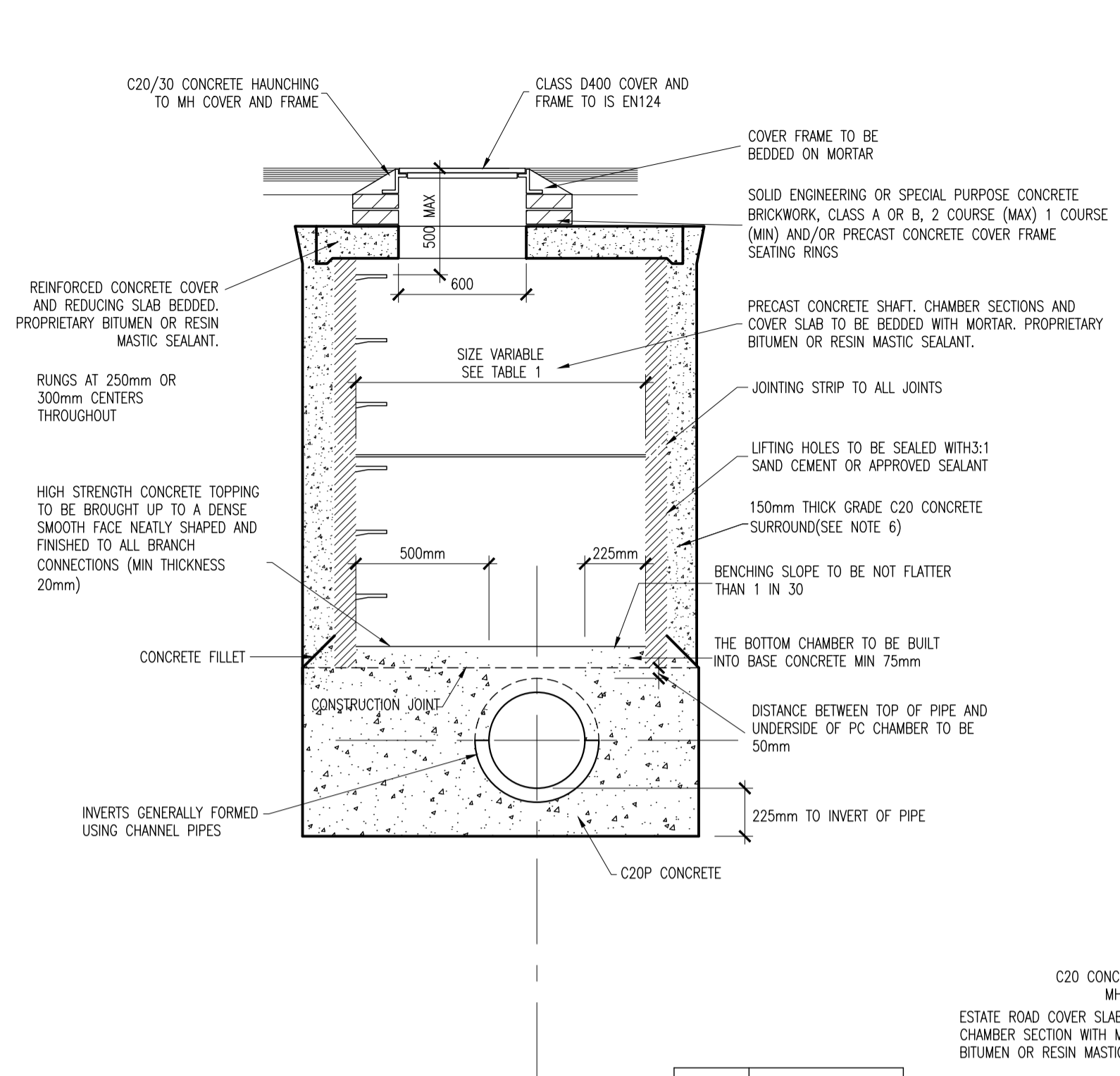
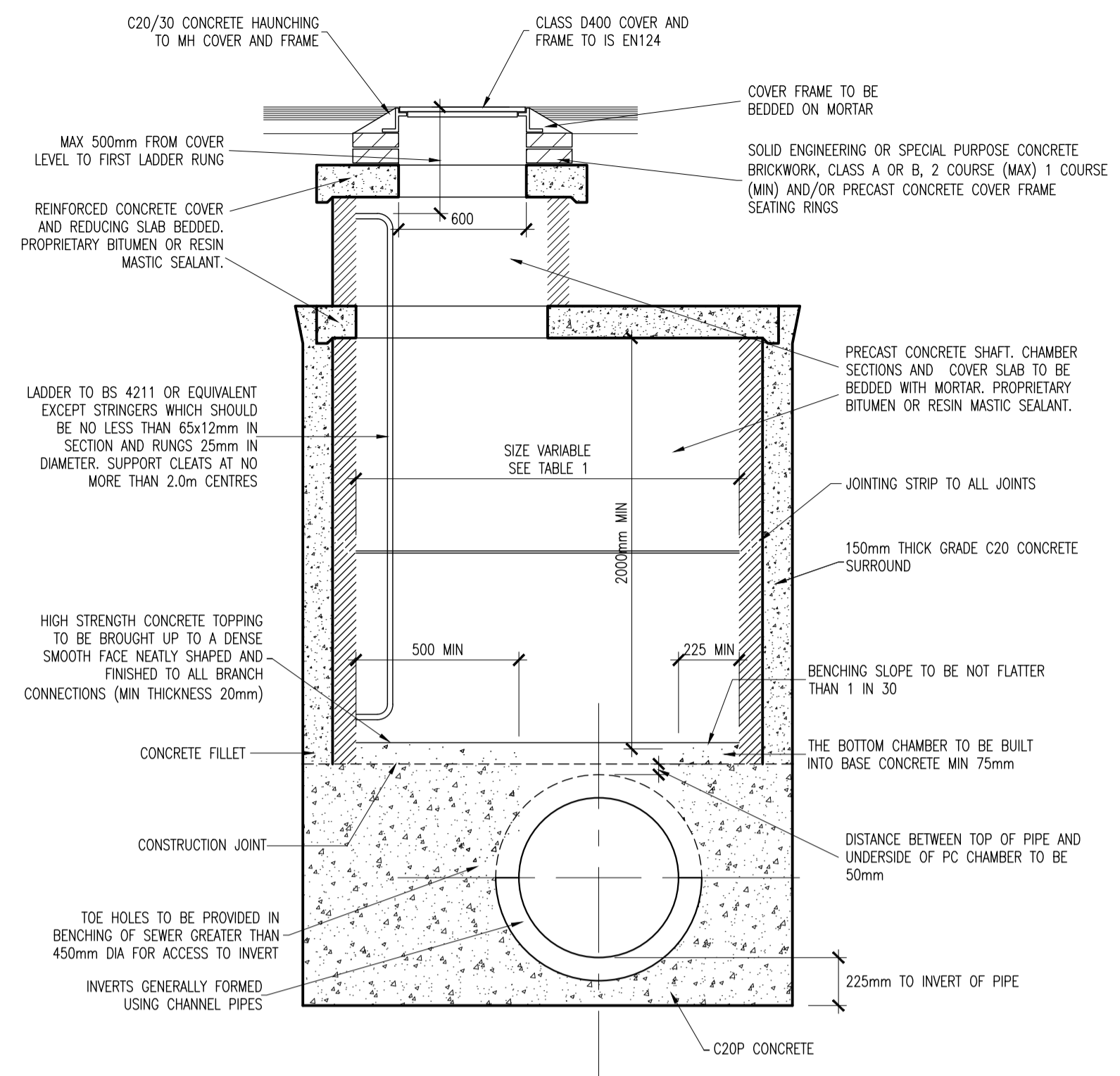


- NOTES:
1. ALL WORKS TO BE CONSTRUCTED IN ACCORDANCE WITH NRA SPECIFICATION FOR ROAD WORKS U.N.O.
  2. ALL REINFORCED CONCRETE ON THIS DRAWING SHALL BE U.N.O.: 35N20 COVER = 50mm MIN
  3. SURFACE FINISHES FOR CONCRETE:  
- CLASS F1 FOR ALL CONCRETE 100mm OR MORE BELOW GROUND LEVEL.  
- CLASS F3 FOR ALL EXPOSED CONCRETE ABOVE 100mm BELOW GROUND LEVEL.
  4. ALL EXPOSED CORNERS ON CONCRETE SHALL BE CHAMFERED WITH 25mm x 25mm CHAMFERS.
  5. ALL STRUCTURAL CONCRETE (HEADWALLS, RC MANHOLES, PETROL INTERCEPTOR SLABS) TO RECEIVE MC DUR 1680 (OR SIMILAR APPROVED TAR MODIFIED EPOXY RESIN) TO ALL BURIED SURFACES, TO FINISH 100mm BELOW GROUND LEVEL.
  6. ALL SEWERS SHALL BE PRESSURE TESTED PRIOR TO BACKFILLING.
  7. RIGID PIPES SHALL MEAN CAST OR SPUN IRON, CONCRETE, ASBESTOS CEMENT OR CLAY.
  8. CLASS D400 MANHOLE COVER FRAMES TO BE 150mm DEEP IN ROADS AND 100mm DEEP IN FOOTPATHS AND GREEN AREAS.
  9. ALL AGGREGATES PROPOSED FOR USE ON THIS SCHEME SHALL MEET FULLY THE REQUIREMENTS OF THE NRA SPECIFICATION FOR ROAD WORKS AND IN ADDITION THE REQUIREMENTS STATED IN STANDARD RECOMMENDATION S.R. 21:2014 GUIDANCE ON THE USE OF I.S. EN 12422:2002 +A1:2007-AGGREGATES FOR UNBOUND AND HYDRAULICALLY BOUND MATERIALS FOR USE IN CIVIL ENGINEERING WORK AND ROAD CONSTRUCTION.
  10. ALL FOUL SEWERS, MANHOLES, AND CONNECTIONS TO BE CONSTRUCTED IN ACCORDANCE WITH IRISH WATER CODE OF PRACTICE AND STANDARD DETAILS.
  11. ALL SURFACE WATER SEWERS, MANHOLES, AND CONNECTIONS TO BE CONSTRUCTED IN ACCORDANCE WITH THE GREATER DUBLIN REGIONAL CODE OF PRACTICE FOR DRAINAGE WORKS.



DIAMETER OF LARGEST PIPE IN MANHOLE (mm)	CHAMBER SECTION DIAMETER (mm)
LESS THAN 375	1200
375 - 450	1350
500 - 700	1500
750 - 900	1800
> 750	PIPE SIZE + 1.3m

Glenveagh Living

REV	DATE	DESCRIPTION	PJC	NGC
A	24/10/19	STAGE 3 SUBMISSION TO ABP	PJC	NGC

DESIGNED	NGC	PREPARED	PJC
DATE	MAY 2019	CHECKED	DJR

PROJECT	KNOCKNACARRA DISTRICT CENTRE, RAHOON, GALWAY.
---------	---

DRG. TITLE	TYPICAL DRAINAGE DETAILS SHEET 1
------------	----------------------------------

ARCHITECT	REDDY ARCHITECTS
-----------	------------------

SCALE	AS SHOWN @A1	FILE REF.	180191-3010
DRG. NO.	180191-3010		A

THE SAFETY POLICY OF INDIVIDUAL SEWERAGE UNDERTAKERS MAY REQUIRE A LARGER MINIMUM CLEAR OPENING INTO MANHOLES AND THE FITTING OF GUARD BARS, SAFETY CHAINS OR OTHER SAFETY DEVICES IN MANHOLES WITH OUTGOING PIPES OF LESS THAN 450mm DIA

THE SAFETY POLICY OF INDIVIDUAL SEWERAGE UNDERTAKERS MAY REQUIRE A LARGER MINIMUM CLEAR OPENING INTO MANHOLES AND THE FITTING OF GUARD BARS, SAFETY CHAINS OR OTHER SAFETY DEVICES IN MANHOLES WITH OUTGOING PIPES OF LESS THAN 450mm DIA

THE SAFETY POLICY OF INDIVIDUAL SEWERAGE UNDERTAKERS MAY REQUIRE A LARGER MINIMUM CLEAR OPENING INTO MANHOLES AND THE FITTING OF GUARD BARS, SAFETY CHAINS OR OTHER SAFETY DEVICES IN MANHOLES WITH OUTGOING PIPES OF LESS THAN 450mm DIA

THE SAFETY POLICY OF INDIVIDUAL SEWERAGE UNDERTAKERS MAY REQUIRE A LARGER MINIMUM CLEAR OPENING INTO MANHOLES AND THE FITTING OF GUARD BARS, SAFETY CHAINS OR OTHER SAFETY DEVICES IN MANHOLES WITH OUTGOING PIPES OF LESS THAN 450mm DIA