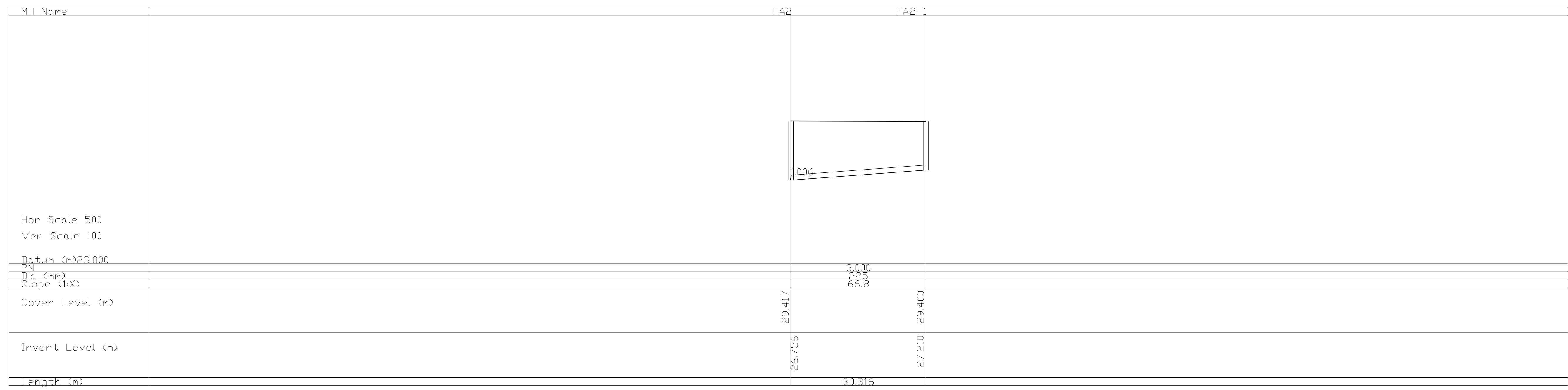
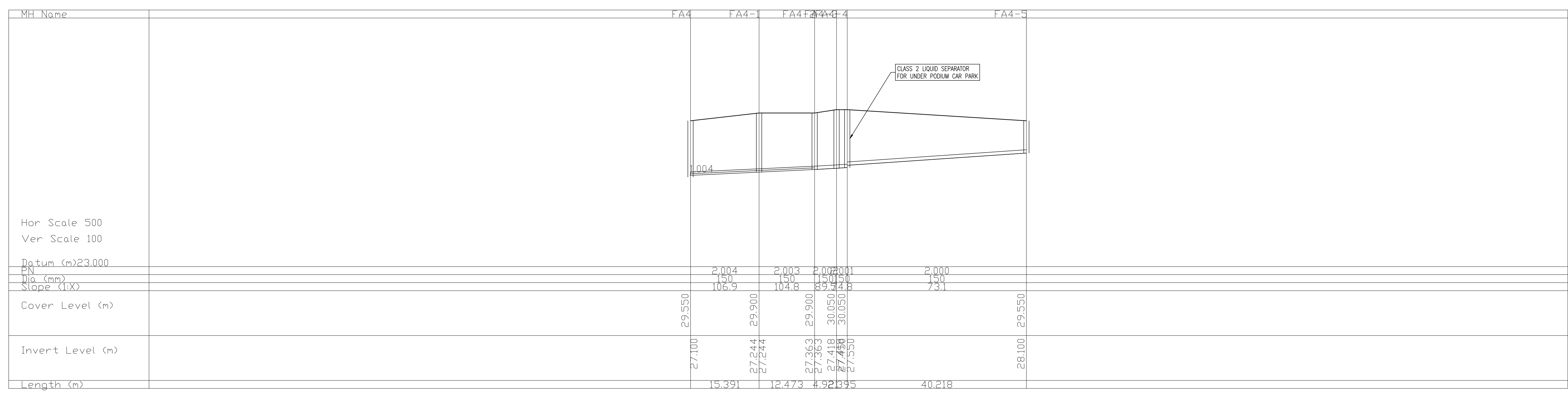
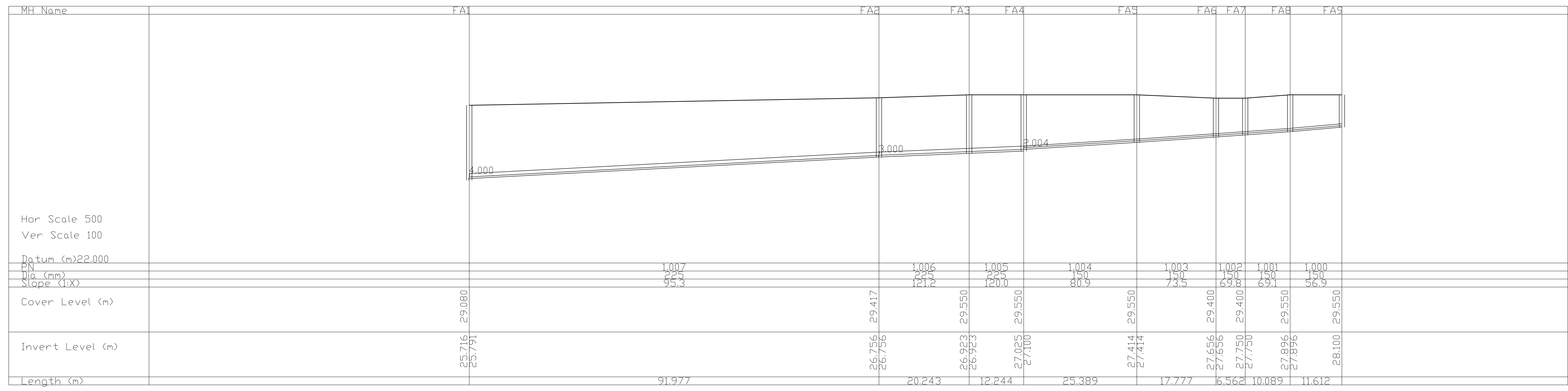


- NOTES:
1. ALL DRAWINGS TO BE CHECKED BY CONTRACTOR ON SITE AND ENGINEER INFORMED OF DISCREPANCIES BEFORE WORK COMMENCES
 2. ALL LEVELS ARE IN METRES AND ARE RELATED TO ORDINANCE DATUM
 3. CONTRACTOR SHALL SATISFY HIMSELF AS TO THE ACCURACY OF PAVEMENT LEVELS ON SITE PRIOR TO COMMENCEMENT OF WORKS ON SITE
 4. ALL WORKS TO BE CONSTRUCTED IN ACCORDANCE WITH THE NRA SPECIFICATION FOR ROAD WORKS UNLESS NOTED OTHERWISE
 5. MANHOLE COVER LEVELS ARE TO CONFORM WITH FINISHED ROAD AND PATH LEVELS
 6. WHERE COVER TO PIPE IS LESS THAN 1200mm (ROAD/PATH/VERGE) OR 900mm (OPEN SPACE) SURROUND PIPE IN MINIMUM 150mm C20 GRADE ST4 CONCRETE

KEY

— PROPOSED GROUND PROFILE



| REV. | DATE | DESCRIPTION | BY | CHKD. |
|-----------------|----------|-------------|-----|-------|
| PLANNING | | | | |
| DESIGNED | NGC | PREPARED | PJC | |
| DATE | OCT 2019 | CHECKED | DJR | |

DUBLIN OFFICE: Omphid House,
 Upper Ormond Quay, Dublin 7, Ireland.
 PHONE +353 1 400 4000
 FAX +353 1 400 4050
 WATERFORD OFFICE: Unit 2, The Chandlery,
 1-2 O'Connell Street, Waterford, Ireland.
 PHONE +353 51 309 500
 FAX +353 51 844 913
 DBFL Consulting Engineers email: info@dbfl.ie site: www.dbfl.ie

PROJECT
KNOCKNACARRA DISTRICT CENTRE, RAHOON, GALWAY.

DRG. TITLE
LONGITUDINAL SECTIONS THROUGH FOUL SEWER SHEET 1

ARCHITECT
REDDY ARCHITECTS

SCALE H 1:500, V 1:100 @A1 FILE REF. 180191-3021

DRG. NO. **180191-3021**